

## **Bushbaby**

*(also known as the Bushbaby 450 and 500 in South Africa)*

### **Specifications**

#### **Description**

##### **General**

Certification basis	SACAA part 24 and ASTM F2245
Fuel capacity (L)	75 or 100
Unusable fuel (L)	5
Cockpit width widest point (m)	1025
Total length (m) FRL Level	5,7
Wing Span (m)	9,17
Wing Area (m <sup>2</sup> )	11,97
Wing MAC (m)	1,305
Height (m) FRL level	2,485
Seats	2 side by side
Wheel track (m)	1,68

#### **Weights and Loads**

Empty Weight (kg) (options dependent)	265-330kg
MTOW (kg)	550
minTOW (kg)	330
Baggage capacity (kg)	20
Baggage volume (m <sup>3</sup> )	0.08
Limit Positive design load factor (g)	+4
Limit Negative design load factor (g)	-2
Ultimate design load factors	+6/-3

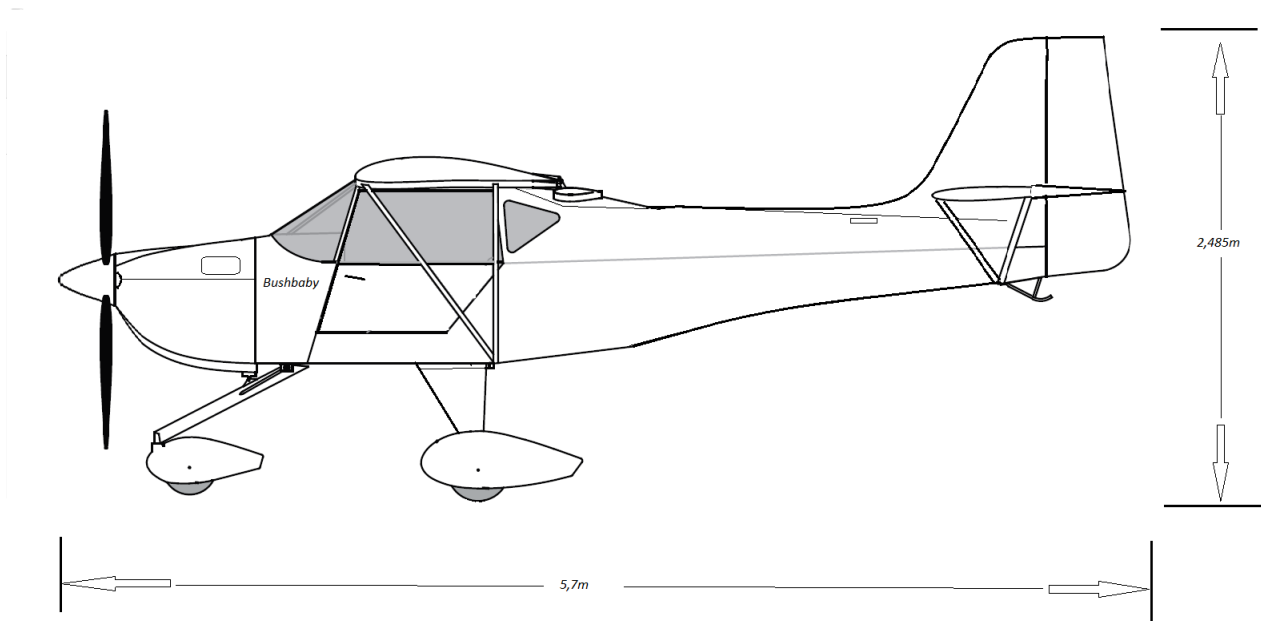
#### **Powerplant \*\***

Engine	Rotax 912 ULS
Hp	100
Propeller (3 blade 72" IVO Medium)	Ground adjustable

**Performance**

Take-off roll (m)	70
Landing roll (m)	85
Rate of Climb (ft/m)	1200
Stall, Clean config (kt)	40
Stall Landing config (kt)	38
Stall full flap (kt)	35
Cruise @75% power (kt) @7500ft	90
VNE (kt)	113
VNO (kt)	85
VA (kt)	80
Service ceiling (ft)	14000
Fuel consumption (L/hr)	18
Demonstrated cross wind (kt)	17

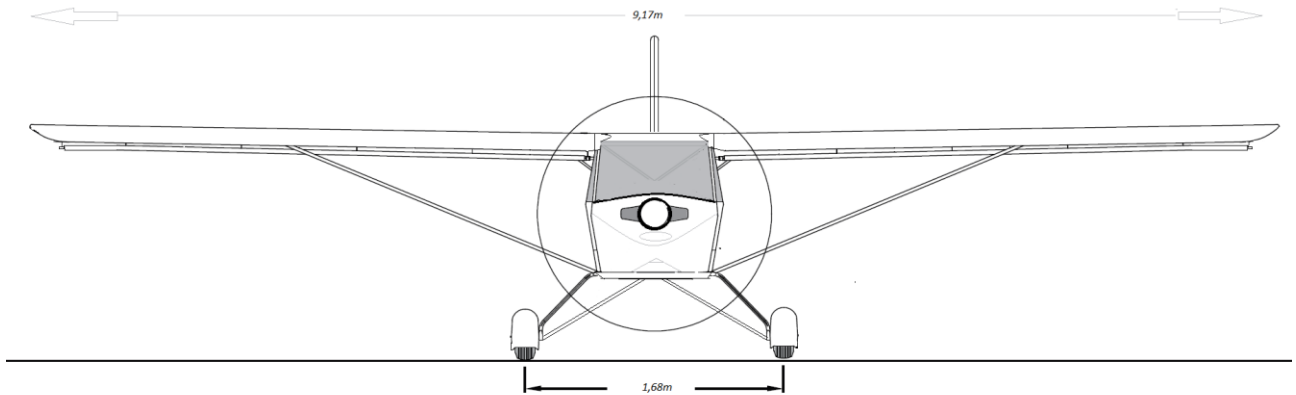
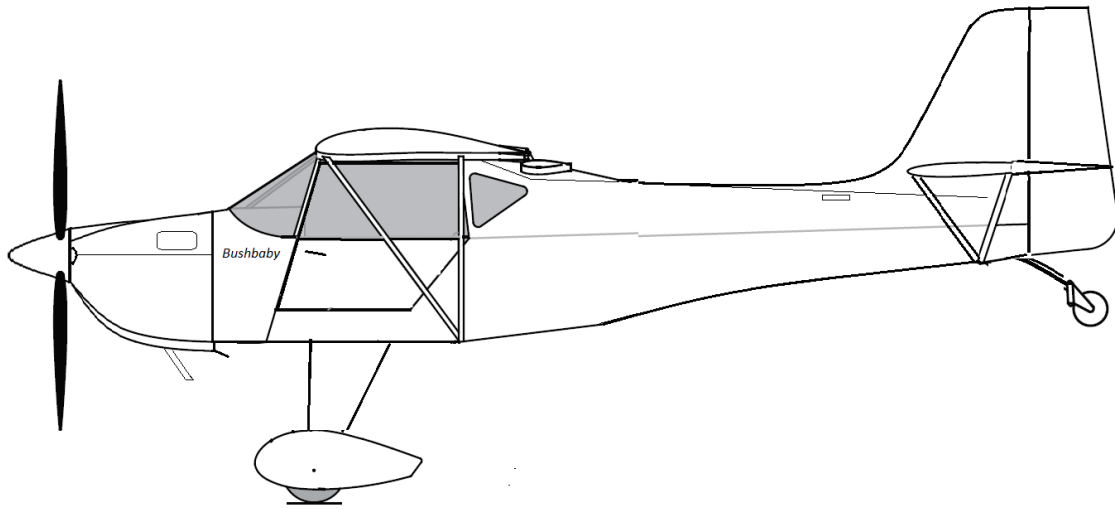
*Performance figures based on a sea-level standard day using the powerplant listed without high lift devices and employing average piloting techniques.*



Engineered for Adventure

# KFA

Kitplanes For Africa



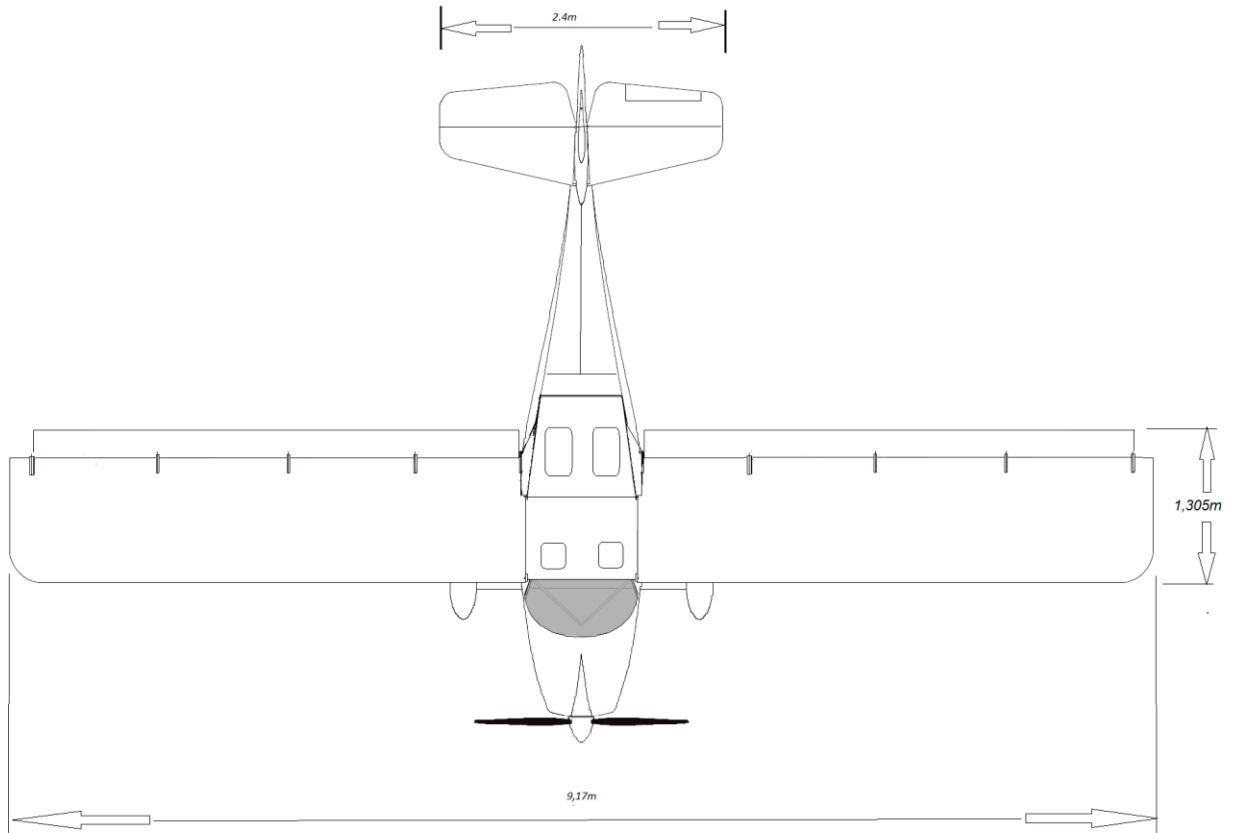
©2018 Kitplanes for Africa (Pty) Ltd ZAR

*Engineered for Adventure*  
[www.kitplanesforafrica.co.za](http://www.kitplanesforafrica.co.za)

Engineered for Adventure

# KFA

Kitplanes For Africa



©2018 Kitplanes for Africa (Pty) Ltd ZAR

*Engineered for Adventure*  
[www.kitplanesforafrica.co.za](http://www.kitplanesforafrica.co.za)