



KITPLANES FOR AFRICA (PTY) LTD
WWW.KITPLANESFORAFRICA.CO.ZA

EXPLORER UL-600

(Also known as the Bushbaby Explorer and the Explorer)

Specifications

General

Available as a factory-built fly-away aircraft, complete kit, sub-kits, or any configuration in-between

Certification basis	LTF-UL 2019 and ASTM F2245-16c
Fuel capacity (L)	105
Unusable fuel (L)	5
Endurance	5hr with 30min reserve
Range	450nm with 30min reserve
Average fuel consumption with Rotax 912 ULS (L/hr)	18
Cockpit width widest point (m)	1,092 (43")
Total length (m) FRL Level	5,915
Wing Span (m)	9,22
Wing Area (m ²)	12,03
Wing MAC (m)	1,305
Height (m) FRL level	2,625
Seats	2 side by side
Wheel track (m)	1,73

Weights and Loads

Empty Weight (kg) (options dependent)	340kg - 365kg
Useful load	260kg - 235kg
MTOW (kg)	600
Min TOW (kg)	446
Baggage capacity (kg)	20
Baggage volume (m ³)	0.1
Limit Positive design load factor (g)	+4
Limit Negative design load factor (g)	-2
Ultimate design load factors	+6/-3

©2019 Kitplanes for Africa (Pty) Ltd ZAR

Built for the Bush



KITPLANES FOR AFRICA (PTY) LTD
 WWW.KITPLANESFORAFRICA.CO.ZA

Powerplant

Engine choices	Rotax 912UL, Rotax 912 ULS, KFA 912 ULST, Rotax 914, Rotax 915 (still under development)
Hp range	80, 100, 122, 115, 141
Propeller choices	FP-Propeller, IVO, Warp drive. Ground adjustable, In-Flight Adjustable or Constant speed. 70-76"

Performance

(With Rotax 912 ULS and fixed pitch prop)

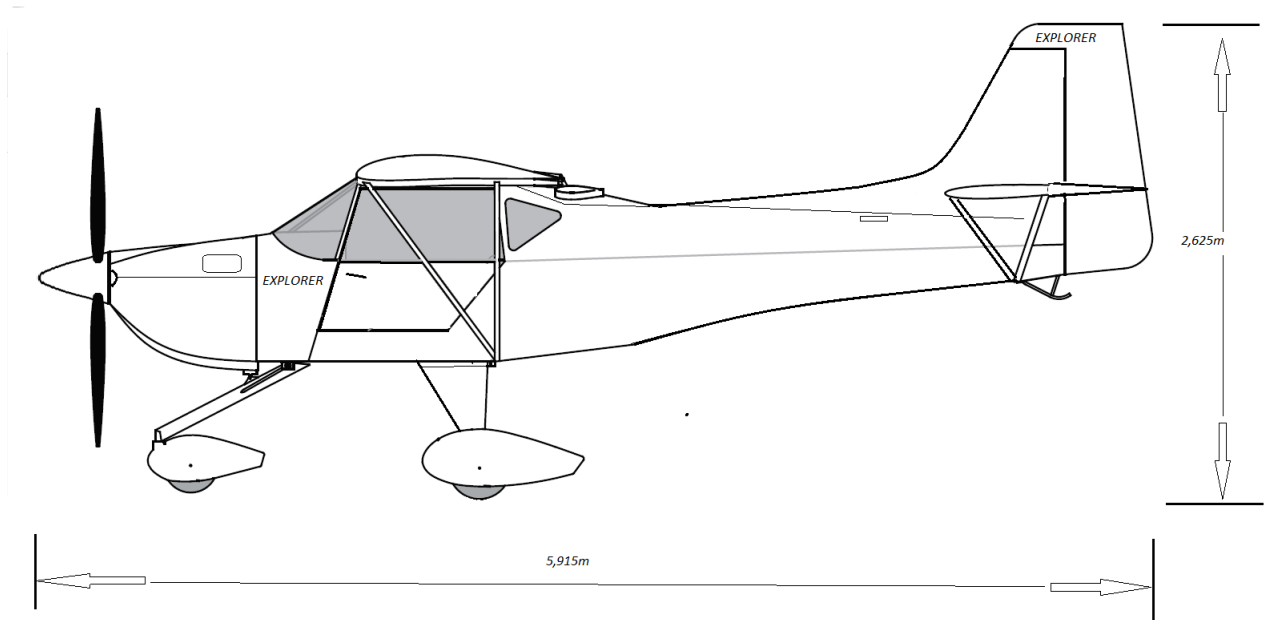
Take-off roll (m)	80
Landing roll (m)	100
Rate of Climb (ft/m)	1000
Stall, Clean config (kt)	42
Stall Landing config (kt)	37
Stall full flap (kt)	35
Cruise (kt)	70-100
VNE (kt)	114
VA (kt)	84
Max Gust load at Min weight	+5.06
Service ceiling (ft)	14000
Demonstrated cross wind (kt)	24

Other

Tyres standard (Mainwheel)	6.00x6 AeroTrac or Aero trainer
Tyre Standard (Nose Wheel)	15 x 6.00/6
Tailwheel	Matco 8"
Vortex Generators on wing	Stolspeed VG's
Speed fairings	Speed fairings on lift struts, jury struts and HT struts



KITPLANES FOR AFRICA (PTY) LTD
WWW.KITPLANESFORAFRICA.CO.ZA

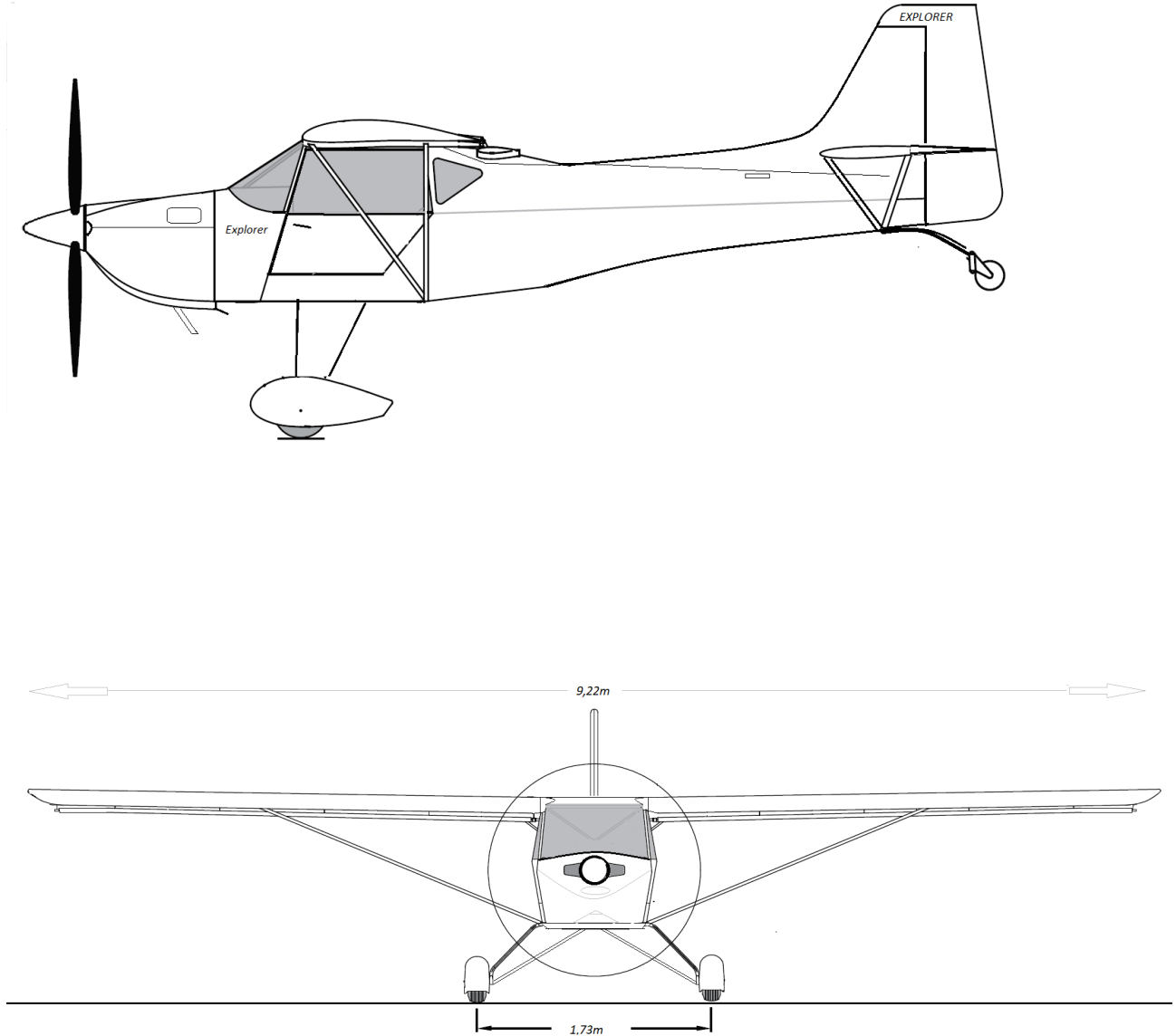


©2019 Kitplanes for Africa (Pty) Ltd ZAR

Built for the Bush



KITPLANES FOR AFRICA (PTY) LTD
WWW.KITPLANESFORAFRICA.CO.ZA

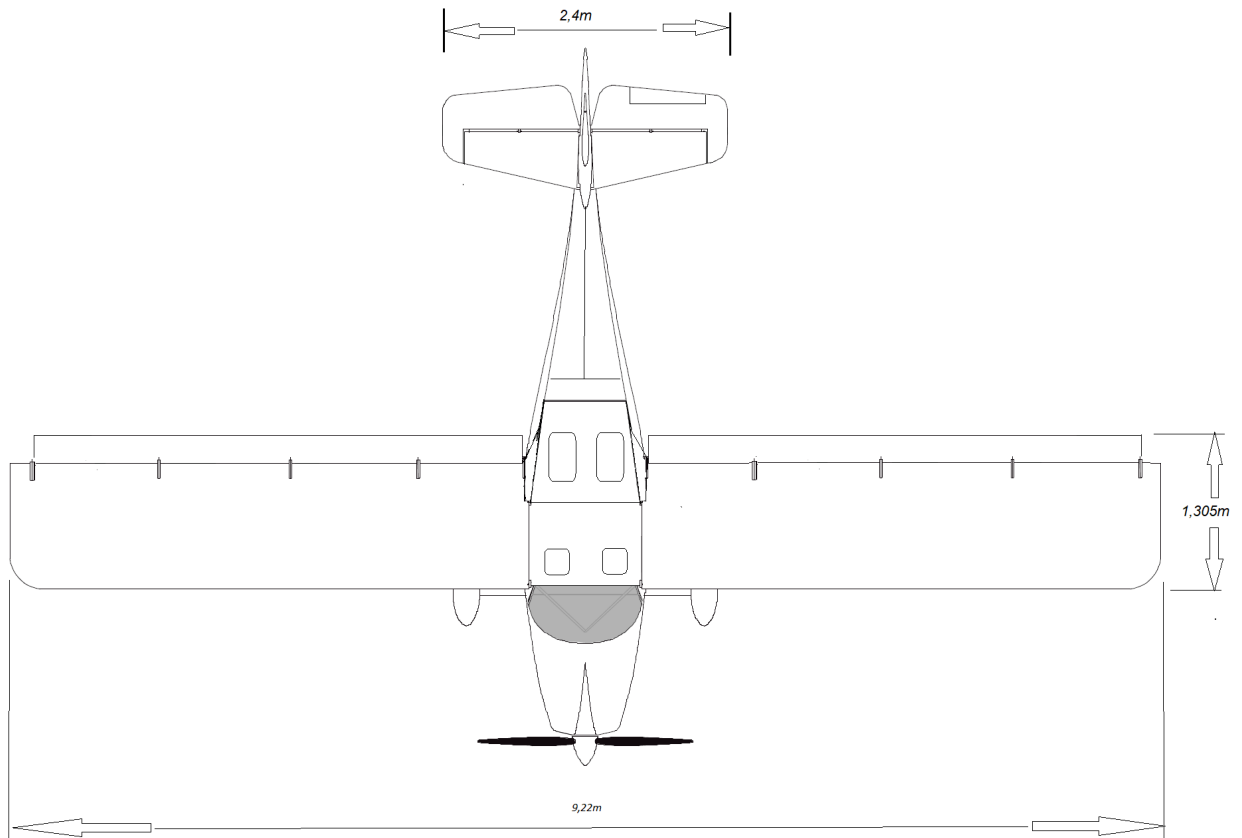


©2019 Kitplanes for Africa (Pty) Ltd ZAR

Built for the Bush



KITPLANES FOR AFRICA (PTY) LTD
WWW.KITPLANESFORAFRICA.CO.ZA



©2019 Kitplanes for Africa (Pty) Ltd ZAR

Built for the Bush