

Kitplanes Safari
Specifications

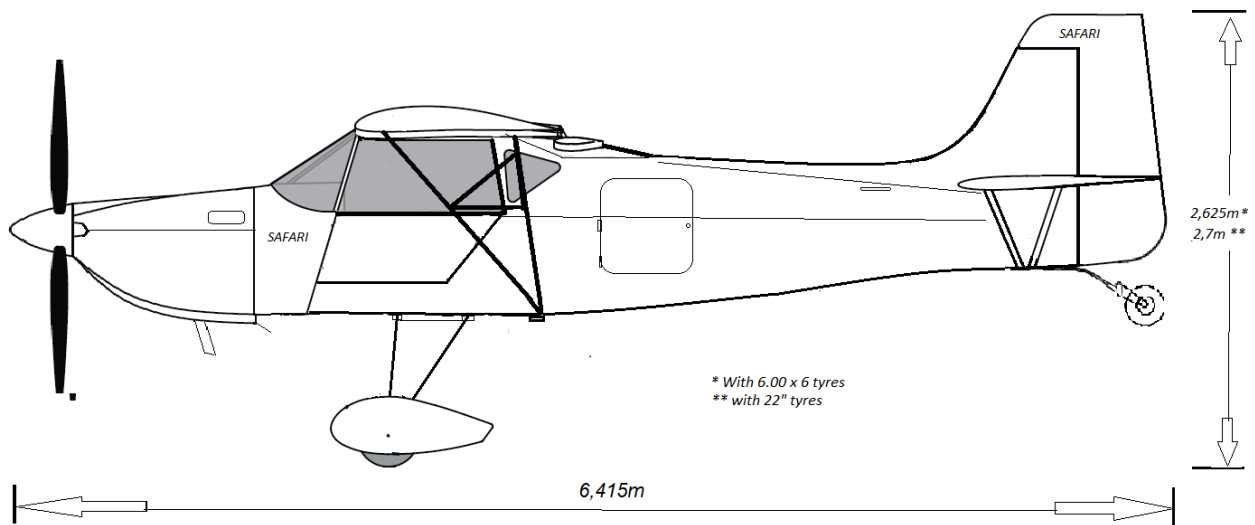
<u>Description</u>	<u>Safari LSA</u>	<u>Safari VLA</u>
<u>General</u>		
Certification basis	ASTM F2245-16c	EASA CS-VLA
Fuel capacity (L)	100	121
Unusable fuel (L)	5	5
Cockpit width widest point (m)	1,194	1,194
Total length (m) FRL Level	6,415	6,415
Wing Span (m)	9,34	9,34
Wing Area (m ²)	12,19	12,19
Wing MAC (m)	1,305	1,305
Height (m) FRL level	2,625	2,625 or 2,7
Seats	2 side by side	2 side by side
Wheel track (m)	1,85	1,85
<u>Weights and Loads</u>		
Empty Weight (kg) (options dependent)	350-380	390-410
MTOW (kg)	600	700
minTOW (kg)	450	475
Baggage capacity (kg)	20	45
Baggage volume (m ³)	0.1	0.18
Limit Positive design load factor (g)	+4	+3.8
Limit Negative design load factor (g)	-2	-1.9
Ultimate design load factors	+6/-3	+5.7/-2.85
<u>Powerplant **</u>		
Engine	Rotax 912 ULS	Rotax 914 UL
Hp	100	115
Propeller (3 blade 72" IVO Medium)	Ground adjustable	Inflight Adjustable

**Various other powerplant options available when built as an Experimental

Performance

Take-off roll (m)	85	93
Landing roll (m)	90	100
Rate of Climb (ft/m)	900	1300
Stall Landing config (kt)	38	42
Stall full flap (kt)	36	40
Cruise @75% power (kt) @7500ft	95	110
VNE (kt)	126	126
VNO (kt)	110	110
VA (kt)	90	100
Service ceiling (ft)	14000	14000
Fuel consumption (L/hr)	18	20
Demonstrated cross wind (kt)	24	24

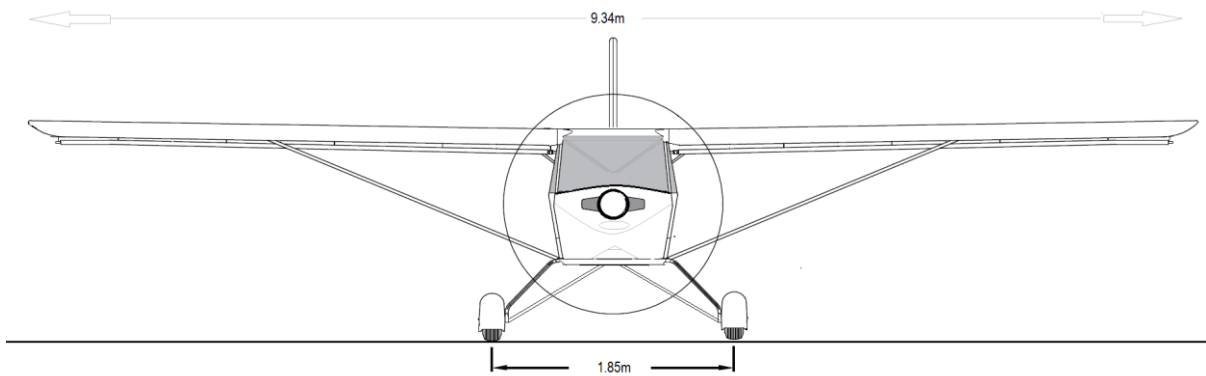
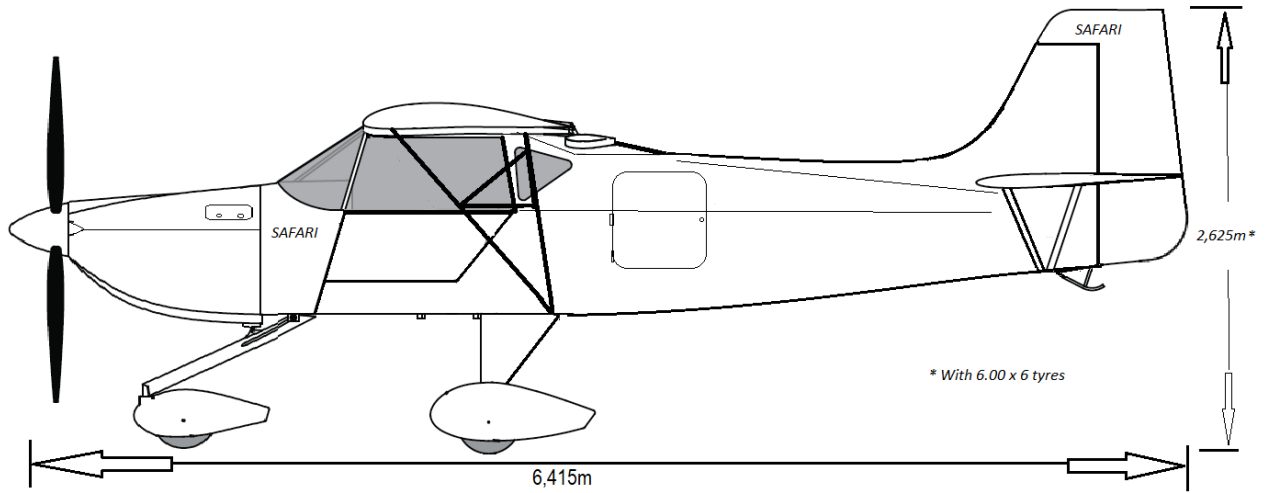
Performance figures are based on sea-level standard day using engines listed without high lift devices fitted and using average piloting techniques



Engineered for Adventure

KFA

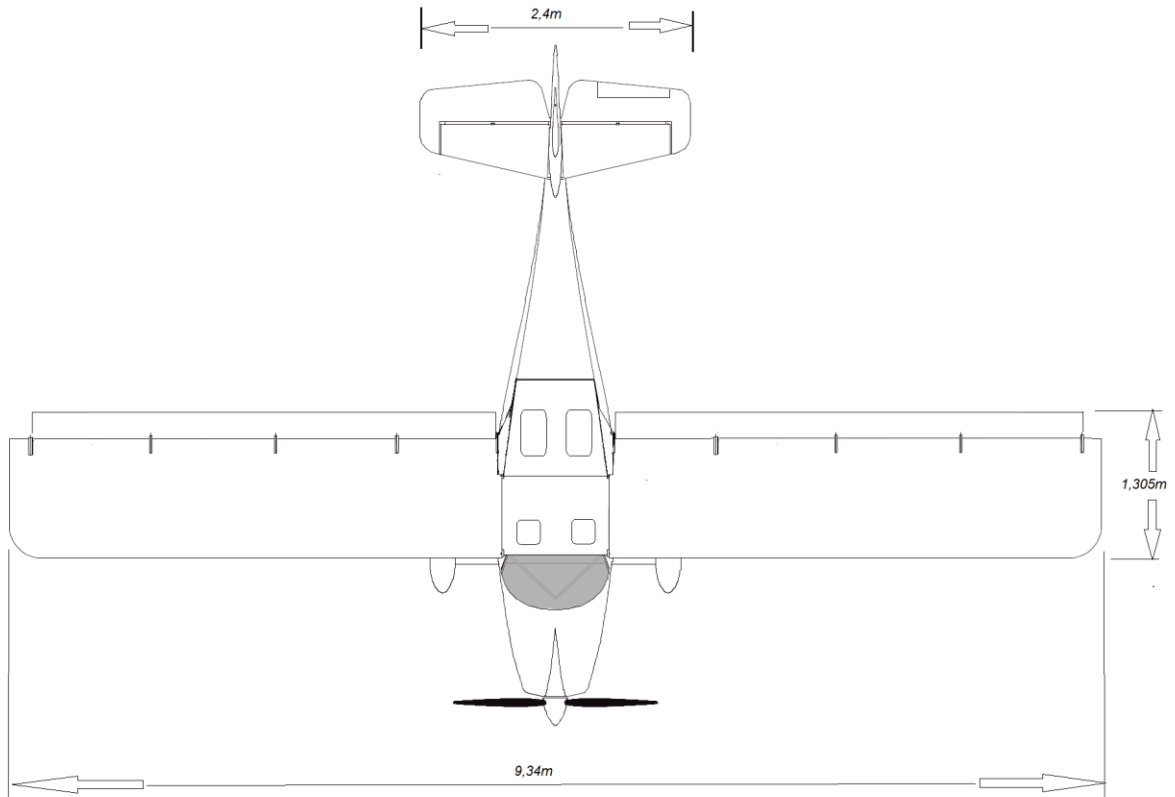
Kitplanes For Africa



©2018 Kitplanes for Africa (Pty) Ltd ZAR

Engineered for Adventure
www.kitplanesforafrica.co.za

Engineered for Adventure



©2018 Kitplanes for Africa (Pty) Ltd ZAR

Engineered for Adventure
www.kitplanesforafrica.co.za