

KITPLANES FOR AFRICA

www.saplanes.co.za

P.O.Box 326

KOMATIPOORT

1340

South Africa

Rick Burrough 082 410032

Stefan Coetzee 082 6018970

info@saplanes.co.za

SERVICE BULLETIN

AIRCRAFT EFFECTED: All models

BULLETIN NUMBER: SB022

ORIGINAL ISSUE DATE: 30-12-06

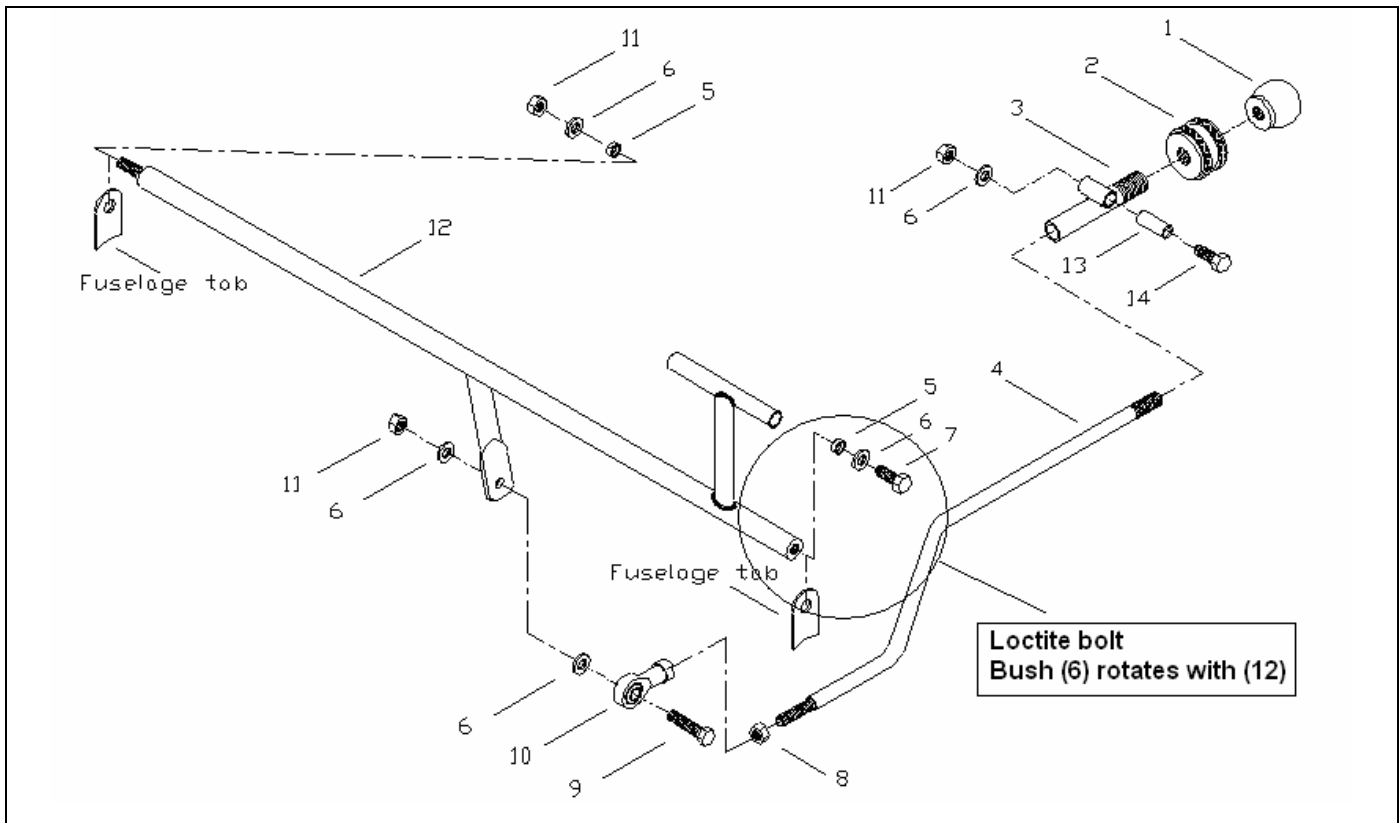
REVISION DATE: 19-11-08

SUBJECT: Throttle bellcrank bolt loose.

APPLICABILITY: All models with the KFA throttle control fitted.

COMPLIANCE: Mandatory

Problem: A case was reported where the throttle bell-crank retaining bolt had come loose. This could have caused the throttle system to jam had the bolt fallen out.



Throttle assembly

Solution: See the circled area of the parts diagram above.
 The bolt (7) must be fitted to the bellcrank (12) with loctite.
 The bolt must be nipped up so that the bush (5) rotates with the bellcrank.