

KITPLANES FOR AFRICA

www.saplanes.co.za

P.O.Box 326

KOMATIPOORT

1340

South Africa

Rick Burrough 082 4100032

Stefan Coetzee 082 6018970

info@saplanes.co.za

SERVICE BULLETIN

AIRCRAFT EFFECTED: All models

BULLETIN NUMBER: SB020

ORIGINAL ISSUE DATE: 23-12-06

REVISION DATE: 19-11-08

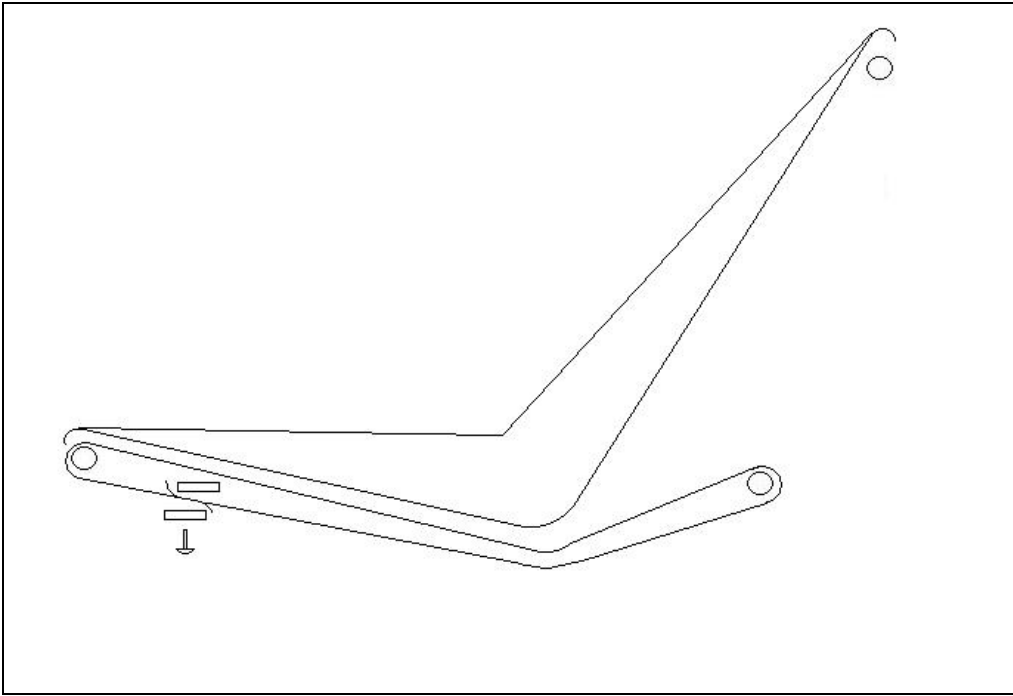
SUBJECT: Fiberglas seat support

APPLICABILITY: All KFA airframes

COMPLIANCE: Mandatory

Problem: The potential exists for the seat to collapse during a high "G" situation. This could bring the seat bottom to bear on the elevator and flap control rods, possibly affecting controllability.

Solution: Fabricate and install seat support straps.
Use seatbelt webbing to make 4 support straps, 2 for each side to support the seat. Run each strap over and round the front and rear bungee truss, adjust the length to just support the bottom of the seat each side of the moulded hat brace on the seat. Clamp and rivet in position with aluminium flat bar. See the drawing on the next page.



Seat support straps.